



The FreeRadical Book

A guide to owning, using and loving your Sport Utility Bicycle

contact info

www.xtracycle.com

info@xtracycle.com

1078 60th Street Oakland, CA 94608

888.537.1401

{Anatomy 101}

1. Rear Upright
2. Rear Bridge (No Step)
3. Long Stay
4. Brake Post
5. Dropout
6. Short Stay
7. Kickstand Plate (Serial#)
8. Front Upright
9. Dropout Boss
10. Boss Hog
11. Spacer Washer
12. Special Nut
13. Front Bridge
14. Top Stay (Grab to lift)
15. Front Attachment Plate (FAP) Rubber pad attached
16. Tongue
17. V-rack
18. SnapDeck
19. FreeLoader
20. H-rack (Optional Accessory)

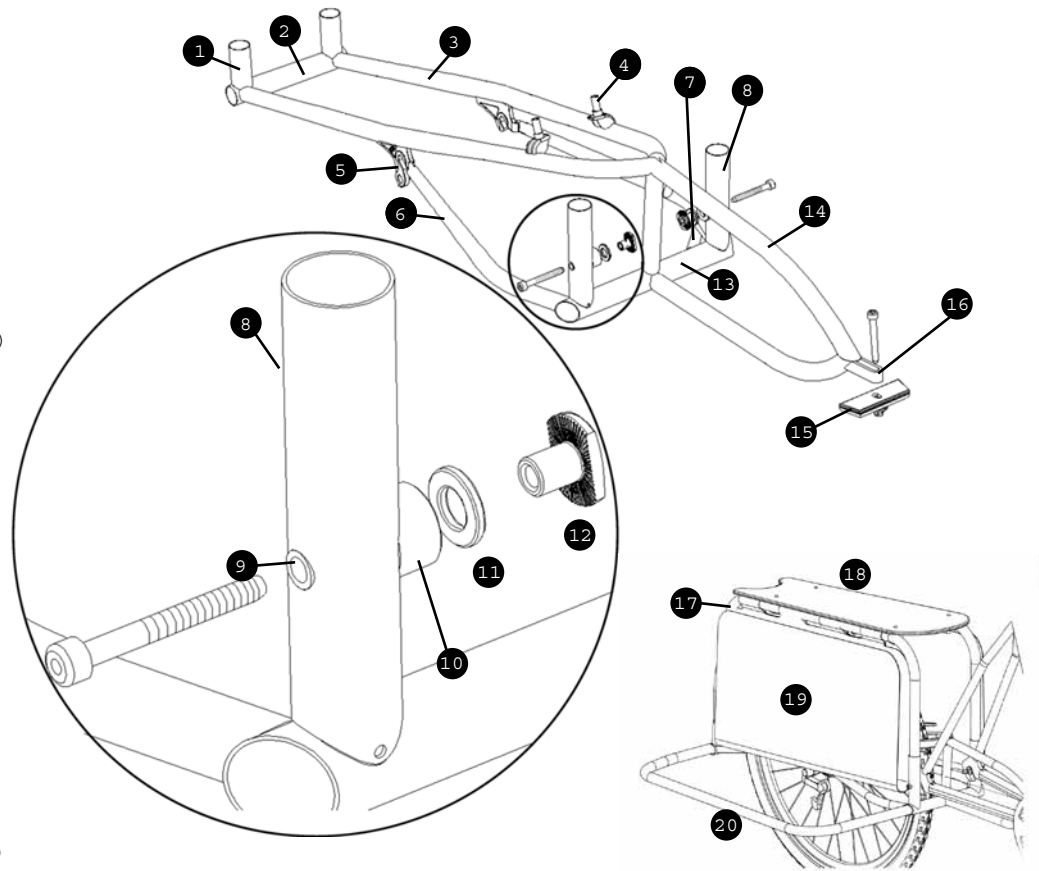


Table of Contents

Welcome 2
How to use this book 3

Assembly 4
Instructions 4
Warranty 16

Warning! Read before you ride 17
Pre-ride checklist 18

Ride! Guide to using the FreeRadical 19
What does what 20
Care and Maintenance Instructions 24
Tricks of the Trail 25
Xtracycle Accessories and Goodies 26

Saving the World 29

About Us 31 1

{Welcome}



I cannot begin to express my gratitude and appreciation towards the Xtracycle team for creating such a wonderful tool. This is truly a quality product that has tremendous potential. Often I wonder on my way to work what it would be like if everyone had an Xtracycle.

I hope to someday find out, I know it would be incredible!

Thanks again!

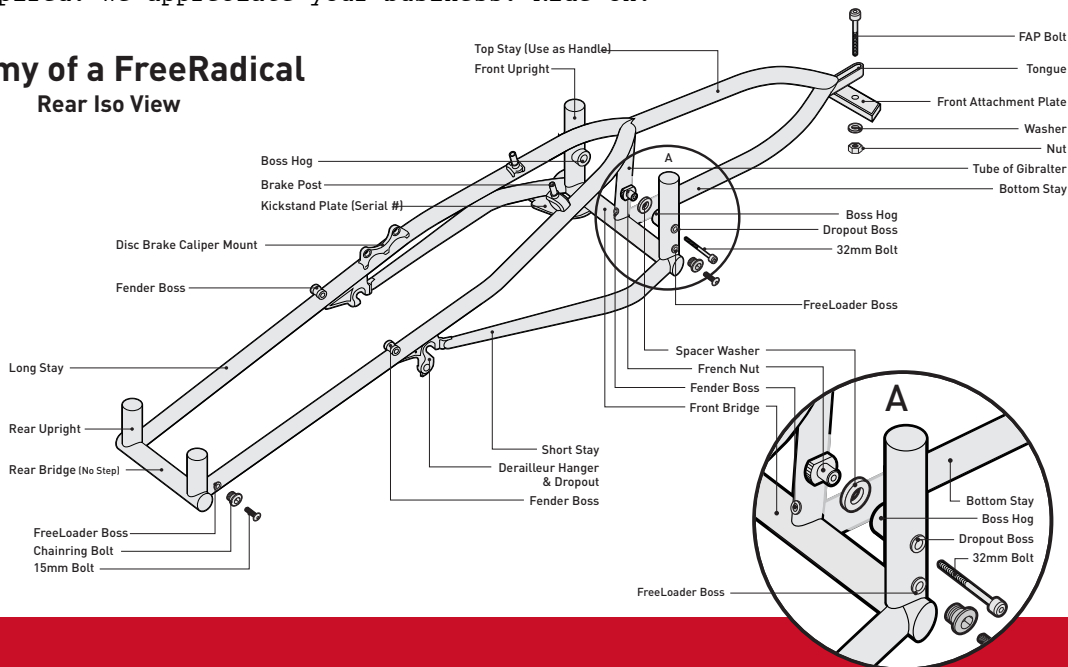
Billy Witort

Yippee!

We congratulate and thank you for joining the growing ranks of Xtracycle owners—people around the world figuring out happier, hipper, friendlier, richer, cooler, more soulful ways to get around and live and have fun. For us, this company and our products are about making the world a better place; by, among other things, minimizing pressure on the environment and giving people satisfying transportation choices. We're confident that in some way the Xtracycle sport utility bicycle will change your world and leave you inspired. We appreciate your business. Ride on!

Anatomy of a FreeRadical

Rear Iso View



{How to use this Owner's Manual}



This manual is an introduction to owning, using, and caring for a FreeRadical. It also contains instructions for correctly and safely installing a FreeRadical on a bicycle.



The FreeRadical installation is meant to be carried out by a professional bicycle mechanic only! Installing a FreeRadical incorrectly, or installing it on an incompatible bike, can result in damage to the FreeRadical and the bicycle as well as injury or death to the rider!!! Always follow the "Before You Ride" instructions included in this manual before you ride. That's why they're called that!



You will also find a bit of information on living simply and fighting for good and beauty in the world. Please do! And check out the accessories for expanding your carrying capacity, and Xtracycle goodies for spreading the love.



A WARRANTY CARD is included with this Owner's Manual. **Please** fill it out immediately and return it to Xtracycle at the address on the back of this manual; doing so will greatly facilitate future warranty claims and help us know you and your needs better. You can also fill out the warranty registration on line at www.xtracycle.com, if you prefer. (You needn't worry about us selling your name to anyone; we don't believe in junk mail.)

This Owner's Manual is intended to be used only as a supplement to your original bicycle's owners manual, which covers essential topics like braking, night riding, bike maintenance and inspection, principles of safe cycling, bike fit, and off-road and other riding techniques. Read and understand both manuals before you ride!!!

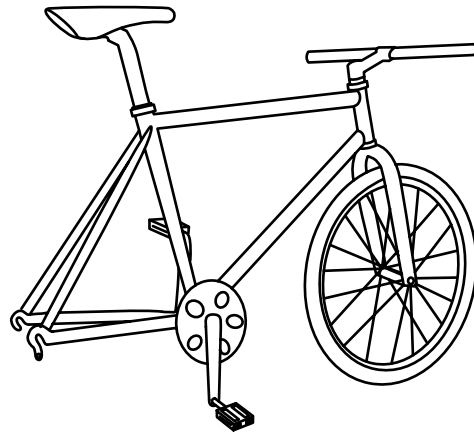
{ Assembly Instructions }



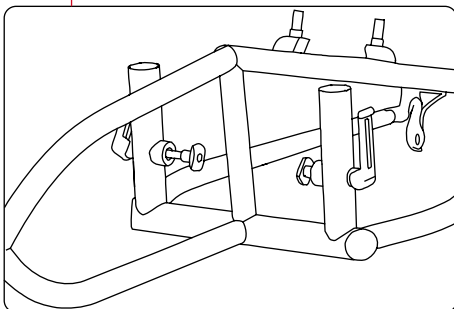
These are instructions for properly attaching a FreeRadical to a bicycle. **⚠ WARNING** FAILURE TO FOLLOW THESE INSTRUCTIONS PRECISELY MAY RESULT IN INJURY OR DEATH! Conversely, following these instructions precisely may result in healthy robustness and increased life expectancy! This installation should only be undertaken by a professional bicycle mechanic. Please read through the entire assembly instructions before proceeding.

Tools required for installation and adjustment:

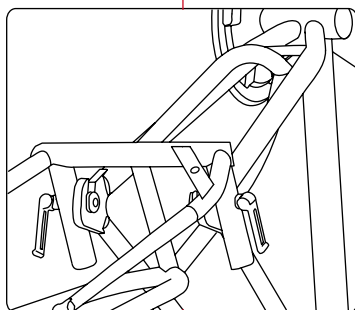
5mm allen wrench
6mm allen wrench
8mm allen wrench
adjustable wrench
cable and housing cutter
phillips-head screwdriver
chain tool
metric ruler*
repair stand (optional)



1 Okay, go!
Remove the chain, rear derailleur, rear brakes, rear wheel, and kickstand from the bike to which the FreeRadical will be attached.



2 Insert the two short bolts (or the optional Quick Release skewers, if included) into the Dropout Bosses from the outside, loosely placing the Special Nuts (see "Step 3 continued" to determine whether the Spacer Washers not shown here are needed).



3 Slide the Special Nuts into the bike's dropouts, positioning the Tongue above the bike's chainstay bridge (or kickstand plate if it has one). Do not tighten the bolts yet.

NOTE: Attaching the FreeRadical is easiest with the bike held upside-down in a repair stand. If you don't have a repair stand, remove the bike's seat to work upside-down (the bike, not you) with greater stability.

3 continued

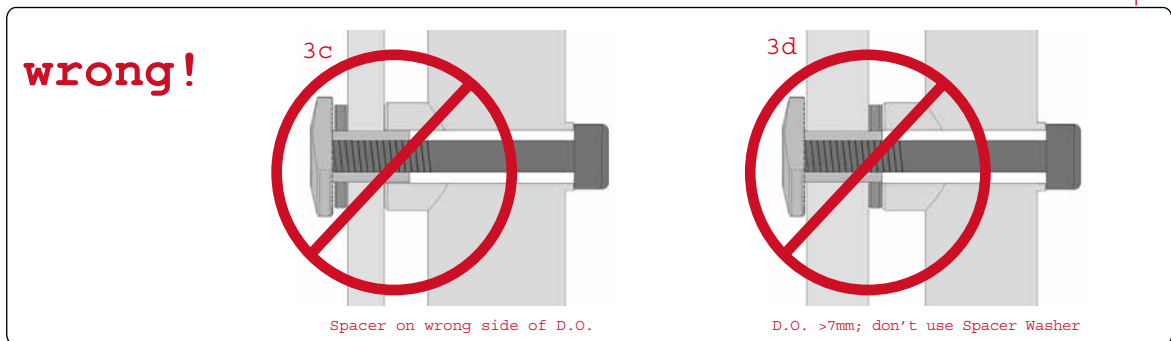
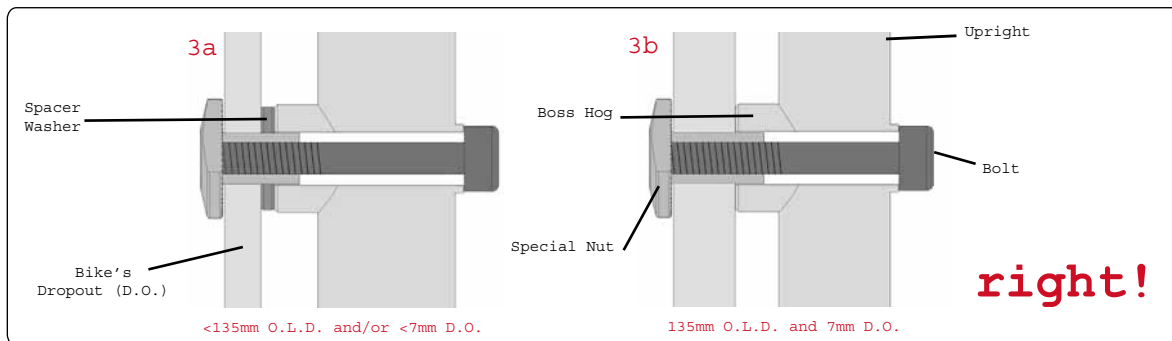
NOTE: The Front Uprights are spaced for bikes with a 135mm over-locknut dimension* (O.L.D.) standard on mountain bikes since 1997 and 7mm-thick dropouts (diagram 3a). On an older bike or a bike with thinner dropouts, you may need to add Spacer Washers **between the Boss Hogs and the dropouts** (diagram 3b). If the dropouts still aren't wide enough (i.e., there's space between the Spacer Washers and the Boss Hogs), the rear triangles can be safely spread by many professional bicycle shops with specialty tools. (Exceptions are composite frames, and very inexpensive steel and aluminum frames, i.e. department-store quality, which CANNOT be safely spread.) Doing so will not weaken the frame but may void its warranty. Check with the manufacturer to be sure. Alternatively, a Narrow O.L.D. Fit Kit that addresses this problem can be ordered from Xtracycle.

Conversely, on an aluminum bike with a 135mm over-locknut dimension the thick dropouts require that you squeeze the rear triangles together. If the dropouts are 9mm thick or less, this slight squeeze does not require special tools. Breezer/Ritchey flange style dropouts require a spacer to keep the flange from hitting the upright (diagram 3a).

Do not put a Spacer Washer between the Special Nut and the dropout in any situation (diagram 3c). **DO NOT USE SPACER WASHERS IF THE BIKE'S DROPOUTS ARE THICKER THAN 7mm!** Doing so will prevent the Special Nuts from seating in the Boss Hogs (see "Step 5") and will make it impossible to securely fasten the FreeRadical to the bike (diagram 3d)!

* The over-locknut dimension is the measurement from the outer face of one locknut on the axle to the outer face of the other locknut. The locknuts are the parts of the axle set that butt up against the inside face of the dropouts when the wheel is installed normally.

3 diagrams



4

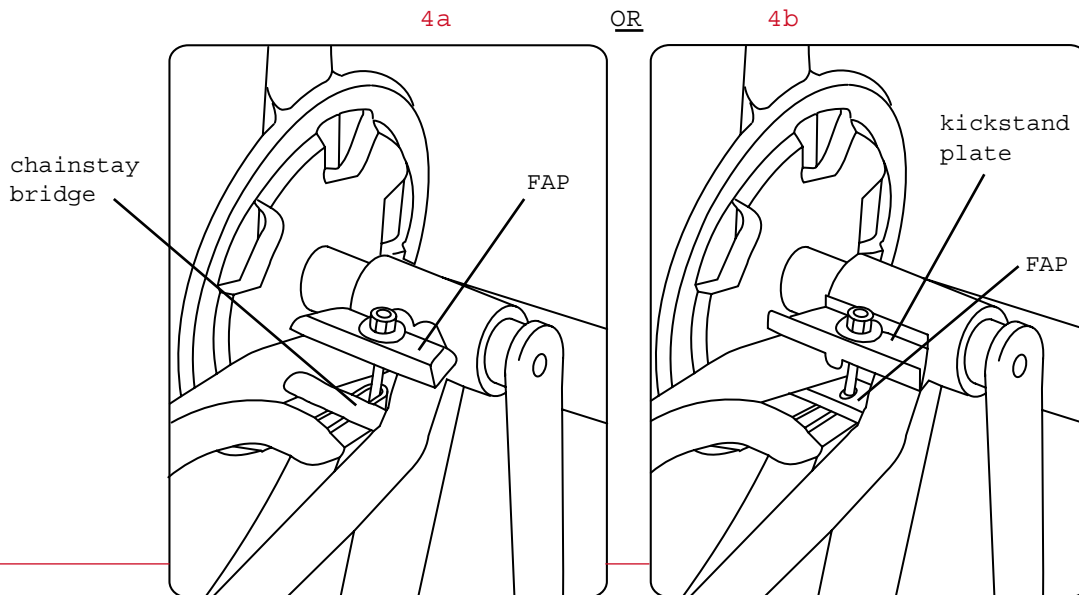
Using the long bolt (or optional quick-release skewer), attach the Tongue according to step a, b, OR c depending on the bicycle's construction. (If using quick-release skewers, also follow their instructions.) In all cases, first apply the rubber cushion to the flat side of the FAP. The cushion rests against the bicycle frame.

{a} Chainstay bridge (or kickstand plate on top of chainstays): Tongue rests on bridge (or kickstand plate); FAP placed beneath chainstays; bolt runs through Tongue to washer and nut on underside of FAP (diagram 4a). Bolt needn't run through bridge but may.

{b} Kickstand plate on the underside of the chainstays: FAP rests on chainstays, Tongue rests on it, and bolt runs through both to washer and nut on the underside of the bike's kickstand plate (diagram 4b).

{c} No kickstand plate or chainstay bridge (not pictured): two FAPs must be used (order another from Xtracycle: 888.537.1401); FAPs sandwich chainstays; Tongue rests on top of upper FAP; bolt runs through Tongue, through upper FAP, and through lower FAP to washer and nut.

4 diagrams



Remember, the bikes pictured here are upside down!

5 Tighten the Tongue bolt to 100in•lbs (11.3Nm), being careful to center the Tongue between the chainstays. Next, tighten the dropout bolts to 120in•lbs (13.6 Nm) by turning the Allen heads.

⚠ WARNING IT IS CRUCIAL THAT THE NUTS FOR THE DROPOUT BOLT BE SEATED INSIDE THE BOSS HOGS! If they aren't, the FreeRadical can't be tightened onto the bike sufficiently and will come off during use! DO NOT USE SPACER WASHERS IF THE BIKE'S DROPOUTS ARE THICKER THAN 7mm!

6 Turn the bike right side up in the repair stand. Mount the rear derailleur and rear brakes on the FreeRadical as per the original bicycle's owner's manual or component manufacturer's assembly guide.

NOTE: The FreeRadical is designed for long-arm cantilever brakes (aka V-Brakes and linear-pull brakes) and won't work safely without them. If needed these can be ordered from Xtracycle.



{6.7} smile, you're more than half way there!

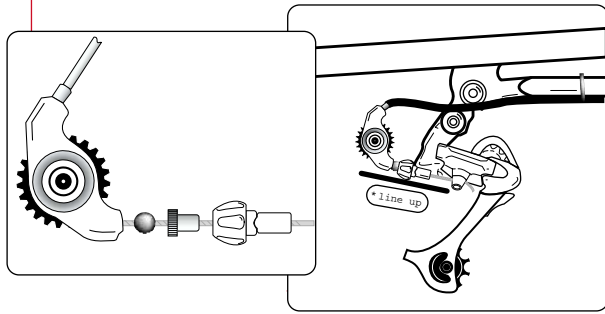
7 Place the rear wheel into the FreeRadical's dropouts as per the original bicycle's owner's manual. (Many companies have this information on their Web site.)

⚠ WARNING When installing the wheel on an older bike, you may need to replace the axle with a longer one: Measure the axle. For a quick-release system, the axle MUST be between 138mm and 146mm long! For a non-QR system, the axle must be at least 170mm! Don't take any chances with a mis-sized axle; either too long or too short and the wheel could fall off when least expected. If it doesn't meet the specifications above, replace it.

8 Replace old rear derailleur and brake cables with the new ones provided, trimming new cable housing as necessary and installing the Rollamajig (optional accessory) if it's included. The derailleur cable should be routed between the seat stay and the Front Upright, then beneath the Boss Hog, and then under the Short Stay to keep it optimally protected.

{Rollamajiggin'}

Do not use the Rollamajig on derailleurs where the cable housing enters directly from the front (e.g. SRAM Di.R.T. models).



8 diagram

- ¥ The bottom of the Rollamajig should line up approximately with the bottom of the derailleur (as shown in diagram).
- ¥ If you are using Gore cables, cut the liner back so it doesn't touch the pulley.
- ¥ Make sure the cable is fully seated in the cable groove.

- 9** Re-install the chain, adding links from the kit to the existing chain. Create a chain one link longer than what's needed to stretch around the big cog and big ring and through the rear derailleur simultaneously. (The chain supplied is sized such that if the bike's chain was sized correctly, joining the two will yield the correct length for the sport utility bicycle.) Unless a special size was ordered, the supplied chain is intended to mate with 8-, 7-, and 6-speed chains. Do not attempt to mate the chain with other sizes. Additionally, not all brands of chain are compatible with each other. Only a professional bicycle mechanic can make the call. If the bike's chain is worn, or a special size is needed, or the makes are incompatible, the appropriate chain can be ordered from Xtracycle. **⚠ WARNING** Attempting to connect incompatible chains can result in sudden chain breakage while riding and lead to a crash. Improper/inadequate chain pin connections can also lead to chain separation under stress while riding and lead to a crash.

- 10** Adjust the brakes and derailleur as per the original bicycle's owner's manual or component manufacturer's assembly guide. Bolt the supplied kickstand to the Kickstand Plate of the FreeRadical, aligning it such that, viewed from above, the arm (NOT the mounting plate) is parallel to the Front Bridge when extended. Make sure it doesn't protrude into the spokes when stowed.

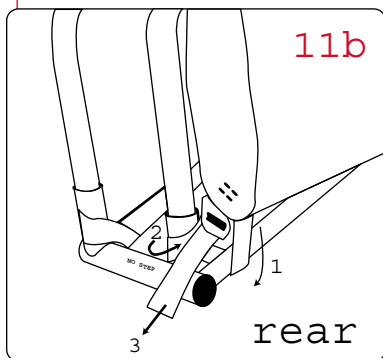
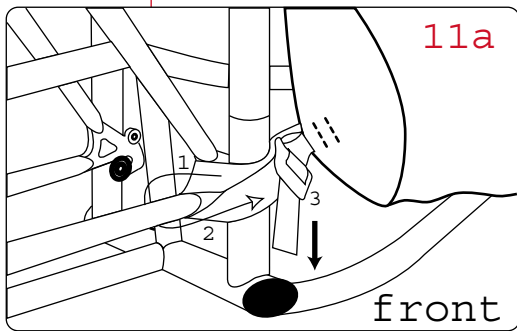
NOTE: With internally geared bikes and single-speeds, proper chain tension is achieved by adjusting the fore/aft position of the entire FreeRadical in the bicycle's dropouts.

11 Installing the V-racks/FreeLoaders

Don't stop following directions now!!! Excellent FreeRadical performance DEPENDS on proper strapping and tensioning of the FreeLoaders!

{1} Make sure that the FreeLoader is taut on the V-rack. Squeeze the rack sides together (stand the V-rack on the floor oriented like a "C" while pushing down on the top) and stretch the FreeLoader flaps tight, i.e. towards the V-rack ends.

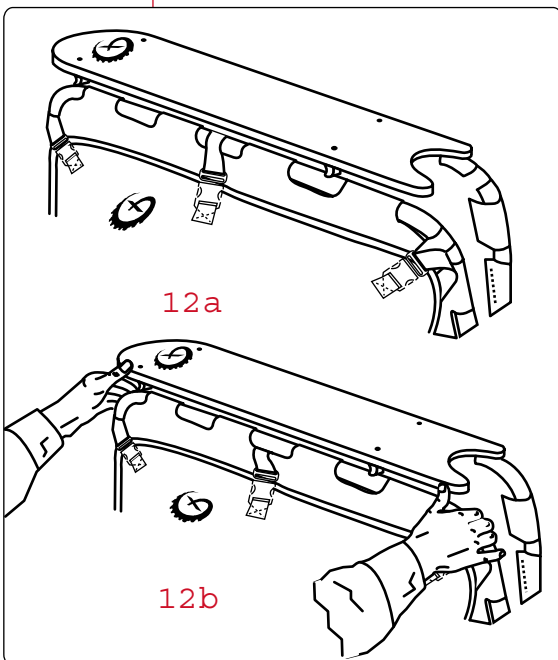
{2} Place the right V-rack in the right-side Uprights, making sure both ends seat all the way. This takes practice, and is often best achieved by guiding the front and rear simultaneously, with each hand grabbing an Upright while feeding in the V-rack ends.



11 continued

{3} Tension the bottom of the FreeLoaders by tightening the straps equally. The front strap goes to the outside of the Front Upright, passes behind the chainstay, then returns to the outside of the Front Upright and into the ladder-lock buckle (diagram 10a). The rear strap goes to the outside of the Long Stay, goes under, then comes around behind the Rear Upright to the ladder-lock buckle (diagram 10b). It DOES NOT go around the Rear Bridge. The FreeLoader should be completely taut, i.e. no wrinkles! If the straps are completely tight and the FreeLoader isn't completely taut, remove the assembly from the FreeRadical frame and go back to step 1 to re-tension the FreeLoader on the V-rack.

{4} Repeat steps 1-3 for the left V-rack.



12 Installing the SnapDeck

{1} Position the SnapDeck so the snap pieces on one side are placed against the inside of the V-rack. The front snap piece should be just in front of the front flap of the FreeLoader, nesting in the V-rack's indentation (not all models), and the rear snap piece should be just in front of the rear flap of the FreeLoader (figure 12a). When installed correctly, the SnapDeck's nose should be even with the plane of the V-racks' nearly vertical front legs.

{2} With one side seated, simply press down on the top of the deck until it snaps into place. **⚠ DANGER** Keep your thumbs and fingers from getting between the SnapDeck and the V-racks while installing to avoid pinching.

Removal

To remove, use your thumbs to push in and up on the SnapDeck edge while your fingers pull on the V-rack (figure 12b).

Questions? Please see the technical FAQ on our Web site <www.xtracycle.com> or call 888.537.1401

{Limited Warranty}



Xtracycle LLC warrants Xtracycle products to be free from defects in material and workmanship subject to the conditions and limitations set forth below. Xtracycle's sole obligation under this warranty is to repair or replace the product(s), at Xtracycle's option.

- ¥ The FreeRadical frame is warranted for the lifetime of the product while with the original owner.
- ¥ Components are warranted for one year.
- ¥ In no event shall Xtracycle be liable for any loss, inconvenience or consequential damages.
- ¥ This warranty does not cover damage due to wear and tear, overloading, misuse, abuse, neglect, accidents, improper assembly or repair, or anything else beyond Xtracycle's immediate control. A partial list of preventable damage not covered by this warranty: rusting of the FreeRadical; delamination of the SnapDeck; galvanic corrosion at FreeRadical/V-rack joints; bending of the FreeRadical's Long Stays by overloading behind the dropouts (more than 100 pounds is too much here); failure of your rear wheel; disfiguration of the rack sockets; plastic buckle failure due to over-tightening straps; and damage resulting from stunt riding, jumping, acrobatics, competitive riding, or commercial use.
- ¥ Xtracycle will be the sole arbiter of whether or not damage is due to defects in materials and workmanship.
- ¥ Warranty claims require proof of purchase and must be made through an authorized dealer.
- ¥ The labor required to remove and/or re-fit and readjust the FreeRadical is not covered by this warranty.
- ¥ Any postage, insurance or shipping costs incurred in sending your FreeRadical for service are your responsibility.

We of course want you to get the utmost enjoyment and utility from your FreeRadical and will seek to assist you, for a nominal charge, in remedying any injuries that it may sustain. You should be aware that installation of the FreeRadical may void the manufacturer's warranty on your bicycle.

{Warning! }

WARNING

In addition to being good for your mind, your body, your community, and your planet, cycling can be very dangerous. Cycling with two people on one bike and/or with cargo can be even more dangerous. The user of this product should know that participating in cycling may involve serious injury or death.

Always wear a helmet; this includes any passengers. There is absolutely, positively no question that they help prevent injury and save lives.

Standing, kneeling, or sitting backwards or sideways (both legs on the same side of the bike) on the SnapDeck while the bike is moving or stopped can easily result in broken limbs, loss of control of the bike, destroyed rims, a destroyed bike frame, or worse.

Carrying a load and riding a long-wheelbase bike both require getting accustomed to. Practice maneuvering and braking on a flat, hazard- and traffic-free street with and without a load before going out into the world. Carrying a seated passenger or heavy load involves risks, foremost of which can be decreased braking power and increased stopping distance. Always make sure you have at least two well-adjusted brakes. Drum, roller, or coaster brakes ARE NOT suited to hilly riding or heavy loads and can fail under serious strain when you need them most! We strongly recommend rim and/or disc brakes, though these carry their own risks: under severe loads (as when carrying a passenger or cargo at high speed) a very strong front brake can lead to failure of the front fork. For this reason, don't use the front brake by itself; the rear or rear and front brake should be used in all braking situations.

The user of this product acknowledges both an understanding and an assumption of the risks involved in cycling, cycling with cargo, and cycling with a passenger. Children incapable of riding a bike on their own or under the age of 6 should not ride on the FreeRadical as passengers, unless it's equipped with the Xtracycle Child Seat accessory. Children should not ride as passengers without an adult operating the Xtracycle SUB.

No warning is a substitute for good judgement. Use yours always. If you have reason to suspect that your own judgement isn't great, share your plans with somebody you respect, and ask for a second opinion.

{Pre-Ride Checklist}



⚠ WARNING

1. check to see that your wheels are securely fastened,
2. that your helmet (and head) is securely fastened,
3. that your FreeRadical is securely fastened to your bicycle at its three attachment points,
4. that the FreeLoaders are taut and that no straps are dangling where they could get caught in the wheels,
5. that your brakes are well adjusted;
6. that no components or frame members are cracked or broken (in general, if at any time you notice a crack or bend in your FreeRadical or in the frame, stem, forks, or bars of your bicycle, stop riding immediately; take your rig to your local bike shop and have them inspect it);
7. examine the Snap Pieces (the plastic pieces bolted to the SnapDeck) for looseness and tighten if necessary;
8. double check your load for security and stability.

ride!



{Guide to Using the FreeRadical}

What does what

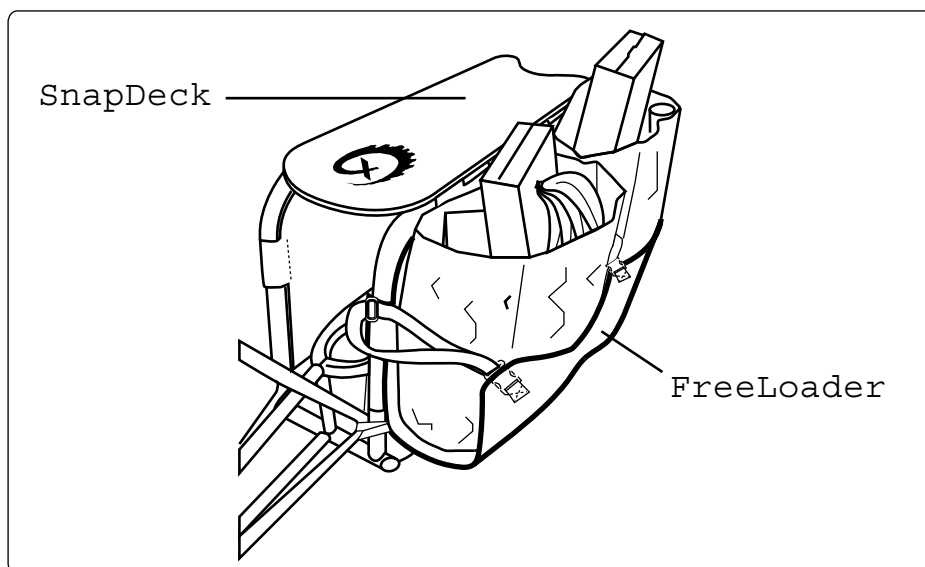
Take a few minutes to learn how to set-up your FreeRadical the right way and you'll be rewarded with a smooth-running, easy-loading, righteous-looking vehicle. (For terms and locations see the "Anatomy" section on the inside front cover.)

FreeLoaders serve three purposes: (1) they keep your load away from the wheel; (2) they add rigidity to the entire load-hauling assembly; and, (3) they carry a dizzying array of cargoes their open ends and expandable girth enable you to carry big things that would never fit in a bag. To maximize their utility, it's essential that you cinch them, tightly, to the bike exactly as shown in step 11 of the assembly instructions (pg 14). Adjust the load straps like little seatbelts, and hook the Slackers (the c-shaped plastic pieces on the end of the straps) back to the straps to minimize dangle. SideWinders, the horizontal straps on either end of each FreeLoader (on some models), can be used to wrap around your load to keep small things from falling out. **CAUTION** The SideWinders MUST LOOP AROUND THE V-RACKS BEFORE THE BUCKLE IS FASTENED! Otherwise the tension can rip the FreeLoader.

“And forget not that the earth delights
to feel your bare feet and the wind longs to play with your hair.”
Kahlil Gibran

The **SnapDeck** serves three purposes, too:

(1) foremost, it's a loading platform and passenger seat; (2) it tensions the V-racks; and, (3) acts as a fender (though you'll want the Xtracycle Fender accessory for maximum fendage). To make all this groove, you need to position the SnapDeck as described in the assembly instructions (pg 15). Oh yeah, an upside-down SnapDeck also makes a great cutting board. Don't forget the vin et fromage!



V-racks support the entire FreeRadical load-carrying system. Make sure they are fully seated in the Front and Rear Uprights before hitting the road. V-racks can also be installed horizontally for carrying long loads, big boxes, and other loads that don't fit in the FreeLoaders or are unstable on the SnapDeck. When using the V-rack as an H-rack, the FreeLoader can be removed or bundled up, or its tensioning straps can be attached to the FreeRadical and it can be used to buckle in a load. Only one V-rack at a time can be used as an H-rack. If you want to support loads on both sides, get H-racks (see accessories section)!

Quick loading tip #1

Load the kickstand side of the bike first, and load it with the things you need the most. Not only will the load be more accessible, but it will help keep the bike from falling over when you load heavy things on the other side.

Kickstand tip

If your bike wants to fall over every time you put a load on the right side, consider shortening your kickstand with a hacksaw so that the bike leans farther left. Trim no more than 1/4" (6mm) at a time.

Quick loading tip #2

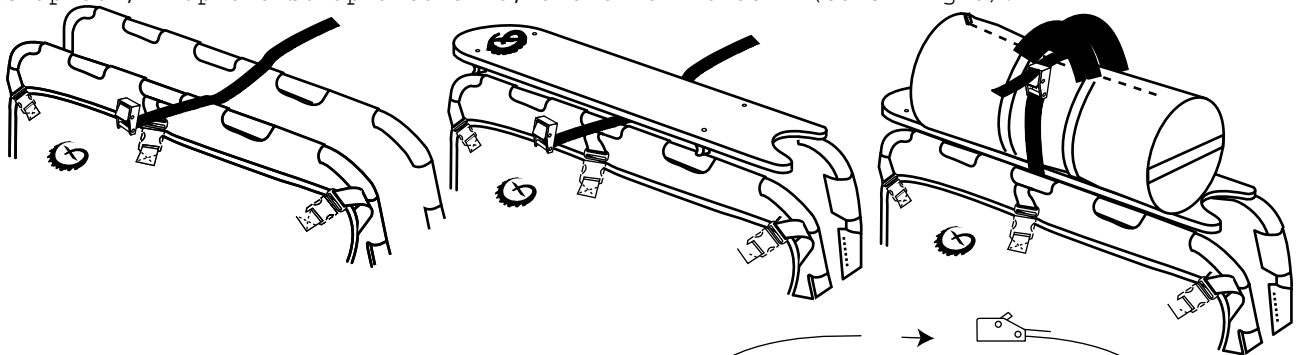
Carry long loads on the non-kickstand side of the bike so they will be out of your way when you mount.

Loading Tip #3

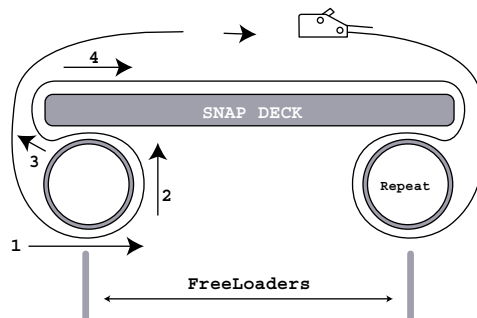
Note that one FreeLoader's straps have male buckles and the other one's straps have female buckles. This allows you to buckle from one FreeLoader to the other, across the top of the SnapDeck. Doing so can stabilize a load, keep the SnapDeck from rattling on a bumpy road, and make it easier to buckle in tall things that extend above the V-racks. Try it!

Quick loading tips #4 and #5

Run a 4-6' cam strap (see Accessories section) under your SnapDeck and let the ends dangle into the FreeLoaders. This is most easily done by removing the SnapDeck, laying the strap across the V-racks (below left), and then sandwiching it down by replacing the deck (below center). When you need to secure a load quickly, just put it on the SnapDeck, wrap the strap around it, and cinch it down (below right).



Don't use the above method for heavy cargo, as it's possible that it could wrench the load and SnapDeck off the V-racks. For a more secure set-up, run the strap under the left V-rack, over the SnapDeck, and under the right V-rack (as shown at right).



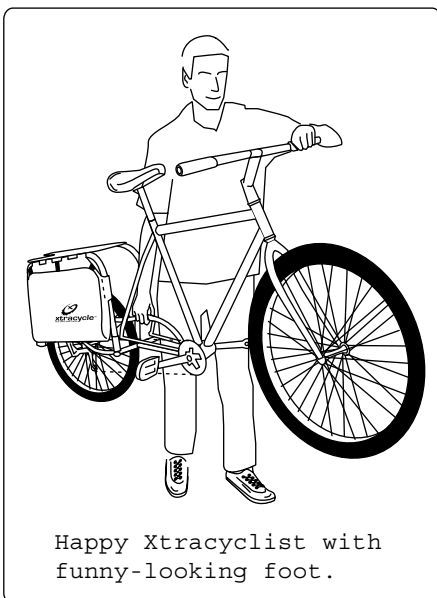
Care for It

CAUTION Don't leave your FreeRadical in the rain. If it gets wet, make sure to dry out the upright sockets. We powder coat each FreeRadical at the factory, producing the highest quality, most environmentally friendly finish available. Nonetheless, if you leave your FreeRadical wet, the insides of the rack sockets will rust, guaranteed. Remove and clean V-racks with a rag at least once/month to keep them from galvanically corroding into the uprights. Corrosion of the V-racks can be removed with sandpaper. Keep unused sockets plugged with the included black plastic thingies. This guards against oxidation and dings. Dinging the sockets makes it difficult or impossible to insert racks. If that happens, visit your local bike shop for repair. **DO NOT STAND ON THE REAR BRIDGE**; doing so will likely bend your Long Stays. Dirty FreeLoaders can be hand washed in cold soapy water and line dried. If the SnapDeck's varnish wears or weathers off, it should be re-coated with a non-toxic outdoor wood finish to protect it from delaminating.

WARNING **MAXIMUM PAYLOADS:** each FreeLoader, 50 lbs (23kg); SnapDeck, in front of axle, 200 lbs (90kg); SnapDeck, behind axle, 50 lbs (23kg); each H-rack, 60 lbs (27kg); not to exceed 200 lbs (90kg) for entire FreeRadical load! The combined weight of the rider and the load is not to exceed 350 lbs (160kg)! Note that Xtracycle cannot warrant your bicycle frame or wheels against breakage and cannot guarantee that your frame and wheels are strong enough to handle the FreeRadical's payload limits. Use the strongest wheels and frame you can afford. Most cyclists are not up to the task of carrying even 100 pounds of cargo, much less 200. Know your limits, use good judgment, and practice with small loads in safe environments before you go big!

Tricks of the Trail

Gravity: it's there when you need it! Why not take advantage? GravityAdvantage JuJu is our way of expressing the Xtracycle SUB handling magic. Our minds (and our friends' minds) are continually blown by loaded SUBs that corner better than regular mountain bikes in downhill singletrack and climb steeper hills and start uphill easier and ride just fine with a kayak on one side and nothing on the other and you get the picture. Something about the extra length, something about the lower center of gravity, something about more weight over the back tire whatever it is, it works!



Loading: endeavor to keep loads low and forward to maximize GravityAdvantage JuJu. When using H-racks, keep the load as close as possible to the bicycle to increase stability. Please see our Web site for additional loading ideas and examples.

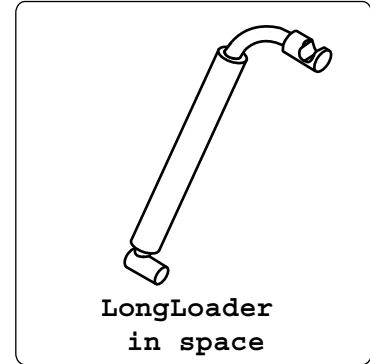
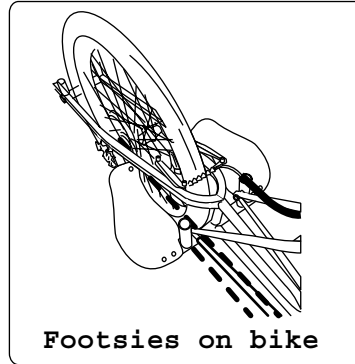
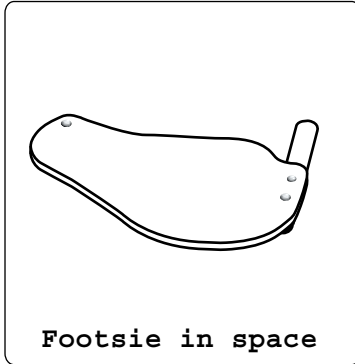
Passenger carrying: **WARNING** Keep your passengers seated in front of the rear axle. This is necessary to keep the Long Stays from bending; more importantly, it greatly improves the bicycle's handling by keeping the load between the wheels. Always use Footsies (see Accessory section) when carrying a passenger.

SUB carrying: your bike is easily carried (up stairs, for instance), even while loaded, by holding a handlebar grip with one hand while the other lifts the Top Stay. If there's an Escalator handy, roll your bike on and lock the brakes for a free ride! Fancy department stores are good places to practice this.

{Accessorize!}

Footsies

An important pair of pieces of wood (a pretty light, very pretty, birch-fir laminate) that can mean the difference between happy feet and angry feet. They install in a hair less than 10 seconds, with no tools, and remove just as easily. One of these days we're going to patent the Footsie and get rich! Your passengers will love you for them. Heck, you will love you for them.



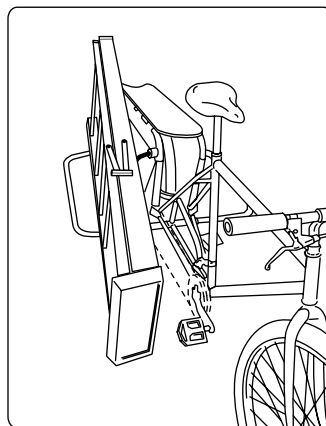
LongLoader

Carry a whitewater kayak or longboard (or two) with ease. This attachment makes loading your watercraft a snap and also helps with other long loads. Windsurfers too! The rack installs in seconds without tools and works by holding the lengthy load to the outside of your pedal. The package includes an H-rack, and two cam straps for buckling down your boat, surfboard, ladder, bikebox, 2x4s, fishin' pole, or massage table.

(We also make a special padded carrier for surfboards.)

H-racks

These horizontal aluminum racks provide a perfect platform for carrying big boxes and the like, and are essential if you plan to carry really long things like flagpoles, kayaks, or lumber. To install H-racks, you simply slide them into the FreeRadical's Front and Rear Bridges (the horizontal tubes). When not needed they can be removed and stowed compactly against the upright V-racks, or left at home. You can use one, or two. Keep your eyes peeled for the X-wing, a highfalutin folding version.



H-rack, LongLoader, and ladder ready to zoom!

Quick-release kit

If you travel by aeroplane or need to remove your FreeRadical to use your bike for trials riding on the weekends, this kit makes the job jiffier. Includes 3 QR skewers for the 3 FreeRadical attachment points, and a break-by-hand chain link.

Cam straps

Tough buckles and tough nylon webbing for advanced loading options. These come in various lengths to suit your needs.

Fun

organic long-sleeve surf shirt

stickers (small size shown below, 3"x4" versions also)

"trucks are sissy" redneck mesh cap

“ Be the change
you want to see
in the world. ”
Mohandas Gandhi



practice random acts of stickering

{Saving the World}



Don't Just Ride, Fight!

There s a shortage of people working to create a bicycle-friendly planet. Yet there s the will and there s the money. Polls regularly show that more Americans would ride their bikes, more often, if they had better, safer places to ride. And Congress has shown its support for spending on cycling infrastructure by allocating literally billions of dollars to the effort in the past decade. But most of the money isn t being spent because there aren t enough people out there asking for it! Chances are there s an understaffed cycling advocacy organization in your neck of the woods that could use your help, even if for just a few hours a month. Contact the **Thunderhead Alliance**, a national coalition of bike-advocacy organizations (Goal: 15% of trips by bicycle by 2015), to find out who your local group is. www.thunderheadalliance.org

We support an organization called the **Center for a New American Dream**. It s a rootsy group that epitomizes the new culture idea of doing more and having less. "The Center works to help individuals and institutions to reduce and shift consumption to enhance our quality of life and protect the environment." We joined and we're having more fun already! 6930 Carroll Ave., Suite 900, Takoma Park, MD 20912 301-891-ENUF (3683) 877-68 DREAM newdream@newdream.org www.newdream.org

How d you like to learn to teach someone in Africa how to build her own utility bike? Consider joining our non-profit sister ship, **Xtracycle Access Foundation**, that works to bring the Xtracycle dream to disadvantaged people around the world. If you're short on time, they accept money, too. info@xaccess.org www.xaccess.org

“ Never doubt that a small group
of thoughtful, committed citizens can change
the world. Indeed, it's the only thing that ever has. ”
Margaret Mead

Ever wish there was a guide to doing right? **Co-op America** is a non-profit organization that produces a book called the National Green Pages. It's a directory of thousands of socially and environmentally responsible businesses, products, and services. Whether you're looking for the most environmentally friendly toilet paper you can buy or for an insurance company with values you respect, you'll find it in this book. We consult it for most all our purchases. 1612 K Street NW, Suite 600, Washington, DC 20006 (202)872-5307, (800)58-GREEN www.coopamerica.org

Please make frequent visits to www.xtracycle.com to learn more about the people, organizations, and media that inspire us and to find resources for waging your own campaigns.

“ I've grown impatient with the kind of debate we used to have about whether the optimists or the pessimists are right. Neither are right. There is too much bad news to justify complacency. There is too much good news to justify despair.”
Donella Meadows

Dreams

More bikes, fewer cars, more green spaces, fewer parking places, more paths, less pavement, a world without smog. Smokestackless factories, broken-down dams, free-flowing rivers, meaningful jobs, meaningful products, a new society that has outgrown consumerism. We dream of a people motivated by beauty and fighting for it.

“ Where shall you seek beauty and how shall you find her unless she herself be your way and your guide? ”
Kahlil Gibran

{About Us}

Xtracycle LLC is a manufacturer, educator, and vehicle for social change whose products enable an entirely new means of mobility all over Earth. We promote the Xtracycle Sport Utility Bicycle in the developed world as a boundary-pushing bicycle and a soul-satisfying alternative to automobile dependence. Profits support developing world initiatives, making Xtracycle technology accessible to all. We are committed to creating a new model of business that adds to the natural wealth of humanity and the planet. We seek to leave beauty in our tire tracks.

Xtracycle, the sweet-ass X logo, FreeRadical, SnapDeck, FreeLoader, SideWinder, I lost 3500 lbs in one day, friends don't let friends drive, God grant me the courage to sell my car, honk if you're a wuss in an SUV, ride to believe, the bike that hauls, and GravityAdvantage JuJu are trademarks of Xtracycle LLC. US Patent No. 6,092,820. US and International patents pending. V-Brake is a Shimano trademark. Rollamajig is an Avid trademark. '5/2001 Xtracycle LLC

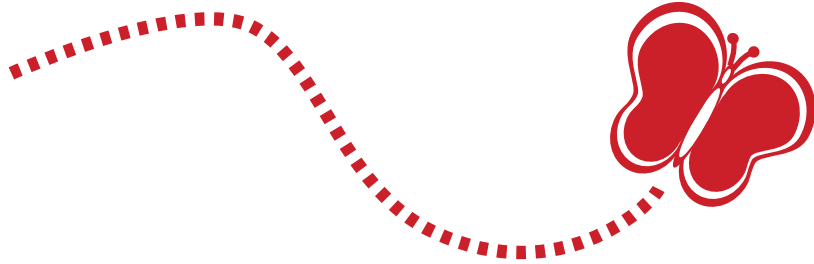
Keep this booklet on your coffee table for quick reference, and ride, ride, ride, ride, ride.

“ Success, like happiness, cannot be pursued, it must ensue... as the unintended side effect of one's personal dedication to a course greater than oneself.”
Victor Frankl



the bike that hauls

be a good butterfly



flap^{your} wings

In 1963, physicist Edward Lorenz stumbled upon a profound new way of looking at the world. Searching for better ways to predict the weather, a mistake in his research led him to a principle he called "sensitivity to initial conditions." In essence, he realized that even a minute action in a remote part of a system can have a dynamic impact on the entire system. "If the theory were correct, one flap of a butterfly's wings would be enough to alter the course of the weather forever," wrote Lorenz. Not only would the impact be dynamic, but it would cascade in unpredictable ways. At Xtracycle, we believe that individuals affect the world similarly. This optimism keeps us fighting for what we believe, confident that untold and unanticipated good will unfold. If a butterfly can cause a tornado, so can you. Make it a good one.